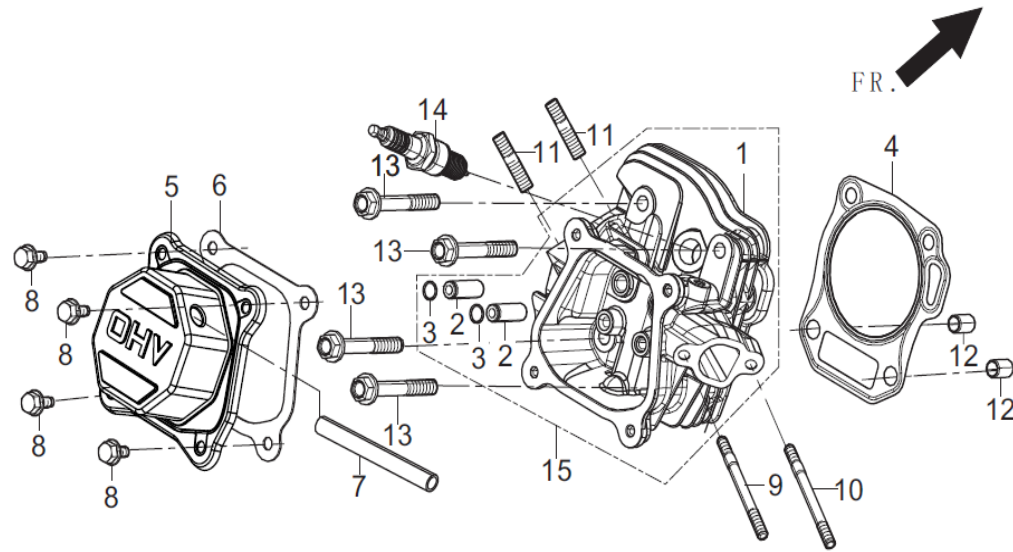


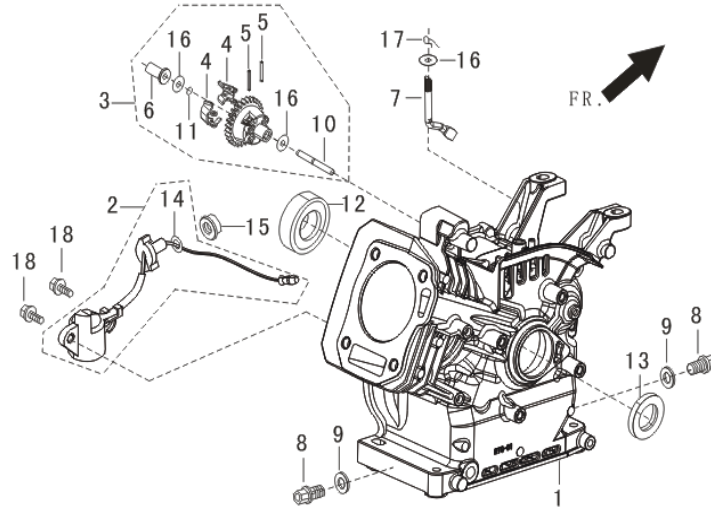
# RAVEN (RATO) R210 PARTS LIST & EXPLODED DIAGRAMS

## FIG.1 HEAD SUBASSEMBLY, CYLINDER / SPARK PLUG (E04)



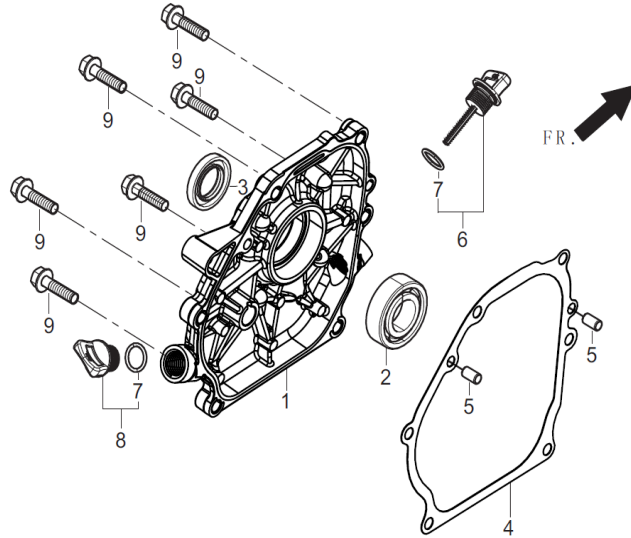
REF. NO.	CPL PART NO (EPAIII) 21407025	CPL PART NO (CARB) 21407055	NUA PART NO (CARB) 11407017	DESCRIPTION	QTY
E04-4	12131-Z530320-0000			GASKET, CYLINDER HEAD	1
E04-5	12410-Z440110-0099			COVER SUBASSEMBLY, CYLINDER HEAD	1
E04-6	12004-Z440110-0000			GASKET, CYLINDER HEAD COVER	1
E04-7	17004-Z440110-0000		17004-Z010310-0000	TUBE, BREATHER	1
E04-8	90001-0612-01			BOLT	4
E04-9	90204-Z010310-0000			STUD	1
E04-10	90207-Z330210-0000				
E04-11	90203-Z010110-0000			STUD	2
E04-12	90502-1114-00			PIN	2
E04-13	12003-Z010110-0000			BOLT, CYLINDER HEAD	4
E04-14	30010-Z010210-0000			PLUG, SPARK	1
E04-15	12140-Z810120-0000			HEAD SUBASSEMBLY, CYLINDER	1

**FIG.2 CRANKCASE. / GEAR ASSY, GOVERNOR. (E17)**



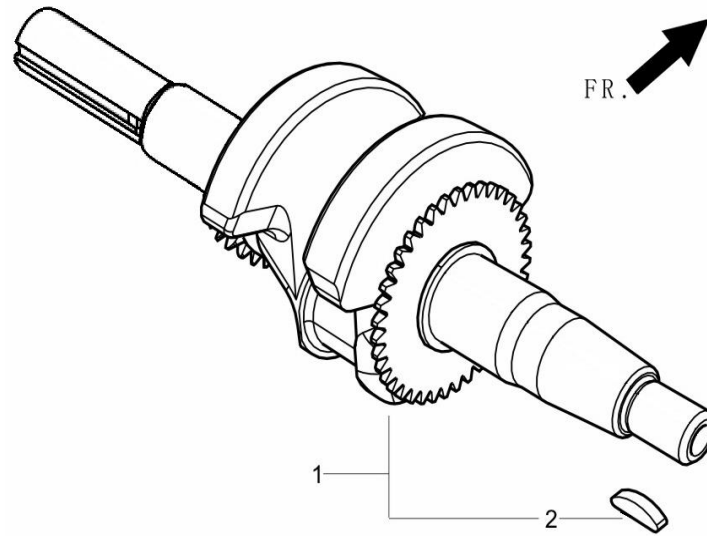
REF. NO.	CPL PART NO (EPAIII) 21407025	CPL PART NO (CARB) 21407055	NUA PART NO (CARB) 11407017	DESCRIPTION	QTY
E17-1	11310-Z530410-0099			CRANKCASE SUBASSEMBLY.	1
E17-2	37060-Z010120-0000			SENSOR, ENGINE OIL	1
E17-3	16400-Z010110-0000			GEAR ASSY, GOVERNOR	1
E17-7	16061-Z010110-0000			ARM, GOVERNOR	1
E17-8	11007-Z010110-0000			BOLT, DRAIN PLUG	2
E17-9	90408-Z010110-0000			WASHER	2
E17-12	90547-0205-cl			BEARING	1
E17-13	90682-Z300110-0000			SEAL, OIL	1
E17-15	90305-Z010210-01			NUT	1
E17-16	90408-Z010210-0000			WASHER	1
E17-17	90501-Z010110-0000			PIN	1
E17-18	90001-0614-01			BOLT	2

**FIG.3 COVER SUBASSEMBLY, CRANKCASE (E01)**



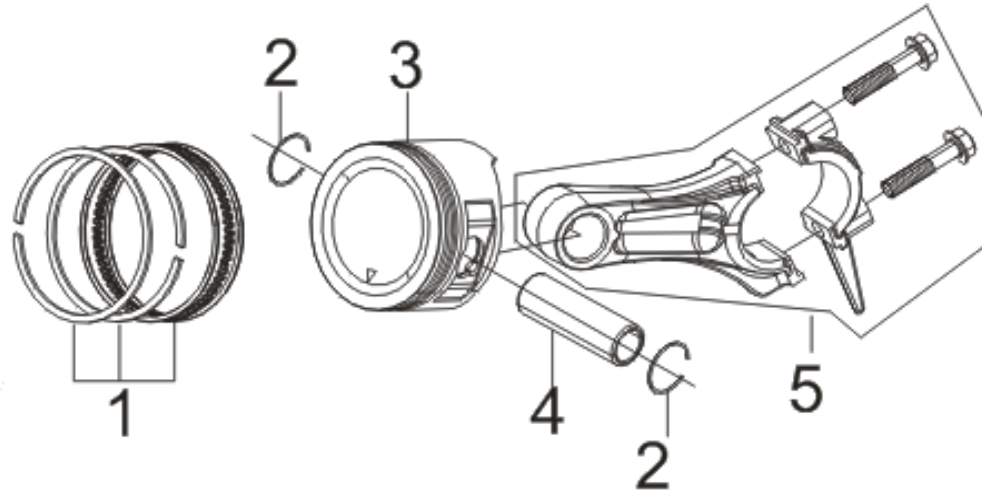
REF. NO.	CPL PART NO (EPAIII) 21407025	CPL PART NO (CARB) 21407055	NUA PART NO (CARB) 11407017	DESCRIPTION	QTY
E01-1	11411-Z440410-0000		11411-Z440210-0000	COVER, CRANKCASE	1
E01-2	90547-0205-cl			BEARING	1
E01-3	90682-Z300110-0000			SEAL, OIL	1
E01-4	11001-Z440110-0000			GASKET, CRANKCASE	1
E01-5	90502-0912-00			PIN	2
E01-6	15010-Z010120-Q500			DIPSTICK SUBASSEMBLY, OIL	1
E01-8	15030-Z010120-Q500			PLUG SUBASSEMBLY, ENGINE OIL	1
E01-9	90001-0832-01			BOLT	6

**FIG.4 CRANKSHAFT (E03)**



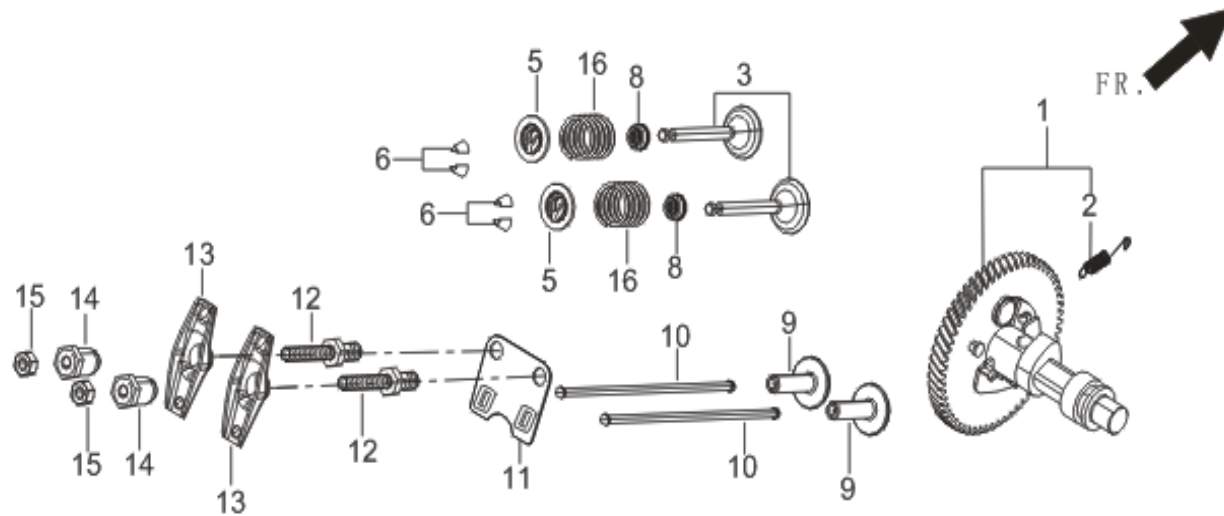
REF. NO.	CPL PART NO (EPAIII) 21407025	CPL PART NO (CARB) 21407055	NUA PART NO (CARB) 11407017	DESCRIPTION	QTY
E03-1	13300-Z530210-0000			CRANKSHAFT ASSY.	1

## FIG.5 PISTON, RINGS, CONNECTING ROD ( E03 )



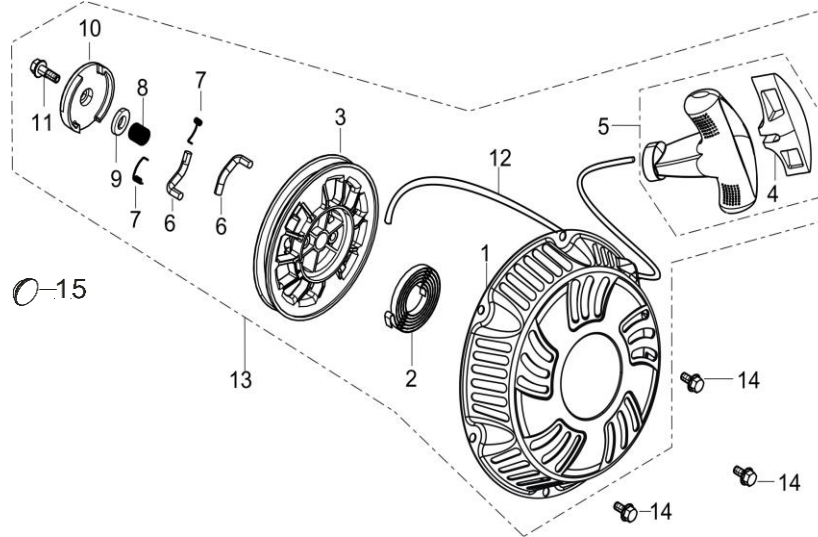
REF. NO.	CPL PART NO (EPAIII) 21407025	CPL PART NO (CARB) 21407055	NUA PART NO (CARB) 11407017	DESCRIPTION	QTY
E04-1	13200-Z140210-0099			RING, THE FIRST	1
E04-2	13122-Z010110-0000			CLIP, PISTON PIN	2
E04-3	13111-Z140220-0099			PISTON ASSY.	1
E04-4	13121-Z010110-0000			PIN, PISTON	1
E04-5	13010-Z440210-0099			ROD, CONNECTING	1

## FIG.6 VALVES, CAMSHAFT SUBASSEMBLY ( E05 )



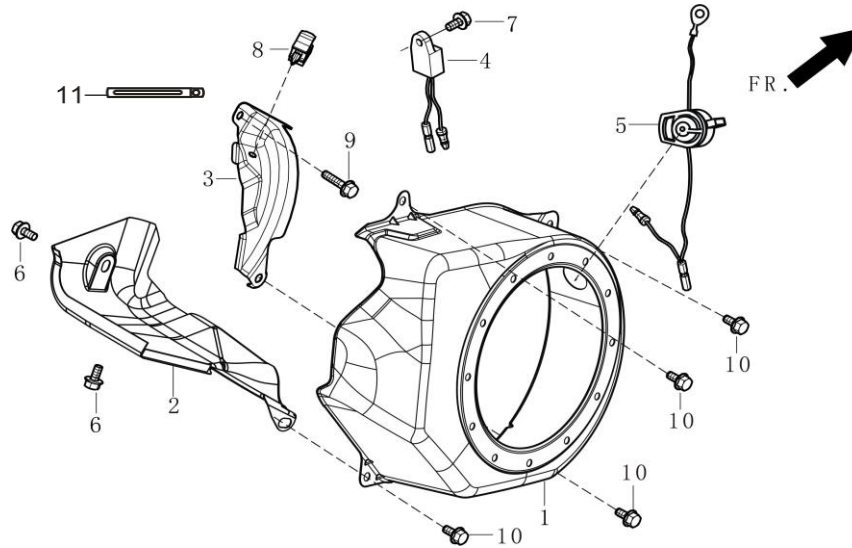
REF. NO.	CPL PART NO (EPAIII) 21407025	CPL PART NO (CARB) 21407055	NUA PART NO (CARB) 11407017	DESCRIPTION	QTY
E04-1	14200-Z530110-0099		14200-Z530310-0099	CAMSHAFT ASSY.	1
E04-3	12110-Z810110-0099			VALVE	1
E04-5	12112-Z810110-0000			SEAT, VALVE SPRING	2
E04-6	12109-Z810110-0000			CLAMP, VALVE LOCK	4
E04-8	12101-Z810110-0000			GUIDE, SEAL	2
E04-9	14081-Z040110-0000			TAPPET, VALVE	2
E04-10	14071-Z440110-0000			LIFTER, VALVE	2
E04-11	14090-Z010110-0000			PLATE SUBASSEMBLY, LIFTER STOPPER	1
E04-12	14313-Z010110-0000			BOLT, VALVE ADJUSTING	2
E04-13	14311-Z010110-0000			ROCKER, VALVE	2
E04-14	14314-Z010110-0000			NUT , VALVE ADJUSTING	2
E04-15	14312-Z010110-0000			NUT, VALVE LOCK	2
E04-16	12103-Z010110-0000			SPRING, VALVE	2

## FIG.7 PULL STARTER (RECOIL ASSY.) ( E08 )



REF. NO.	CPL PART NO (EPAIII) 21407025	CPL PART NO (CARB) 21407055	NUA PART NO (CARB) 11407017	DESCRIPTION	QTY
E08-13	28200-Z440110-H700			STARTER ASSY, RECOIL	1
E08-14	90001-0608-01			BOLT	3
E08-15	90722-Z300110-0000			PLUG, END	1

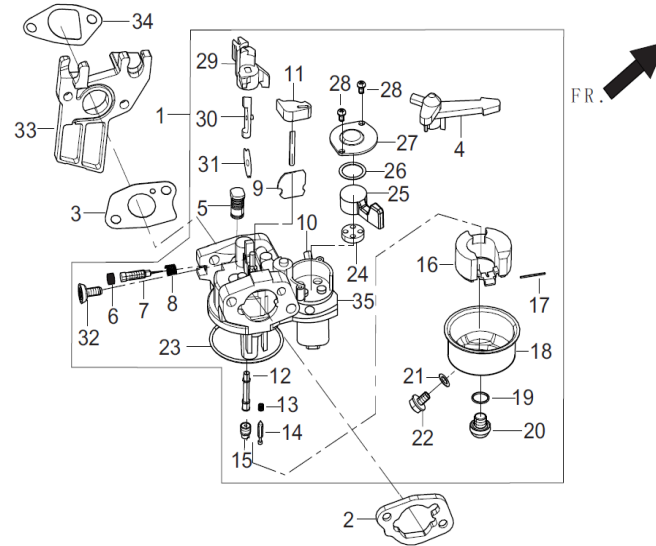
**FIG.8 SHROUD / SHIELD, LOWER ( E14 )**



REF. NO.	CPL PART NO (EPAIII) 21407025	CPL PART NO (CARB) 21407055	NUA PART NO (CARB) 11407017	DESCRIPTION	QTY
E14-1	28110-Z010410-H700			SHROUD	1
E14-2	19304-Z010110-0000			SHROUD, CYLINDER BODY	1
E14-3	19340-Z010120-0000			SHIELD, LOWER	1
E14-4	37050-Z010210-0000			PROTECTOR, OIL	1
E14-5	35540-Z010410-QG00			SWITCH SUBASSEMBLY, STOP ENGINE	1
E14-6	90001-0610-01			BOLT	2
E14-7	90001-0610-01			BOLT	1
E14-8	90740-Z010110-0000			COLLAR	1
E14-9	90001-0616-01			BOLT	1
E14-10	90001-0612-01			BOLT	4
E14-11	90684-Z030120-0000		\	CLIP	1

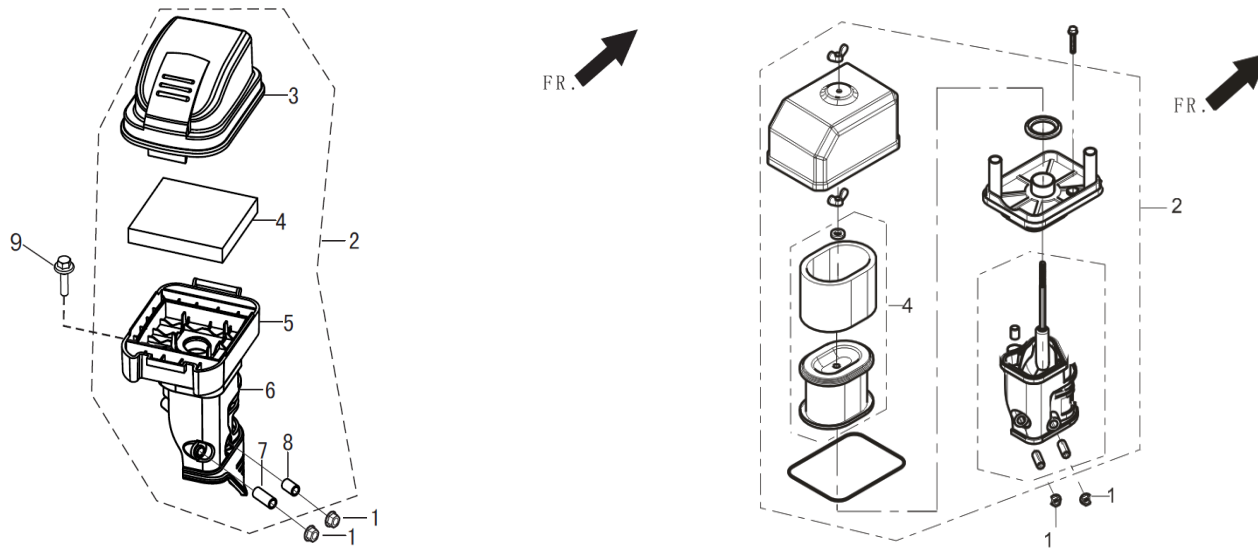


## FIG.9 CARBURETOR ASSY. ( E11 )



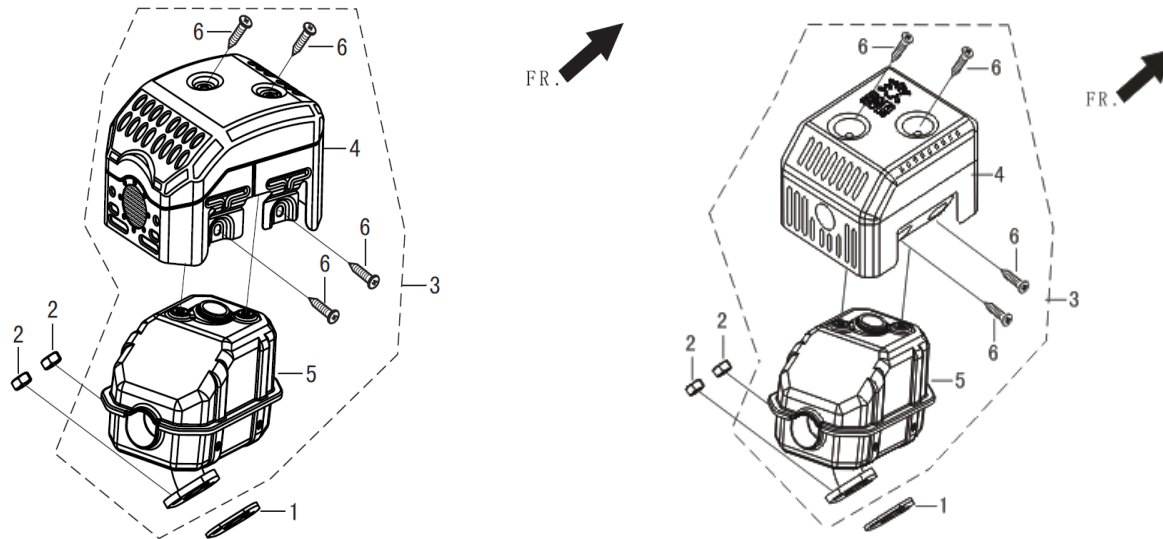
REF. NO.	CPL PART NO (EPAIII) 21407025	CPL PART NO (CARB) 21407055	NUA PART NO (CARB) 11407017	DESCRIPTION	QTY
E11-1	16100-Z530610-0099			CARBURETOR ASSY.	1
E11-2	17001-Z010210-0000			GASKET, AIR CLEANER	1
E11-3	16001-Z010110-0000			GASKET, CARBURETOR	1
E11-4	16003-Z010110-0000			PLATE, CARBURETOR INSULATOR	1
E11-5	16002-Z050110-0000			GASKET, CARBURETOR INSULATOR	1

**FIG.10 AIR CLEANER ASSEMBLY (AIR CLEANER) ( F02 )**



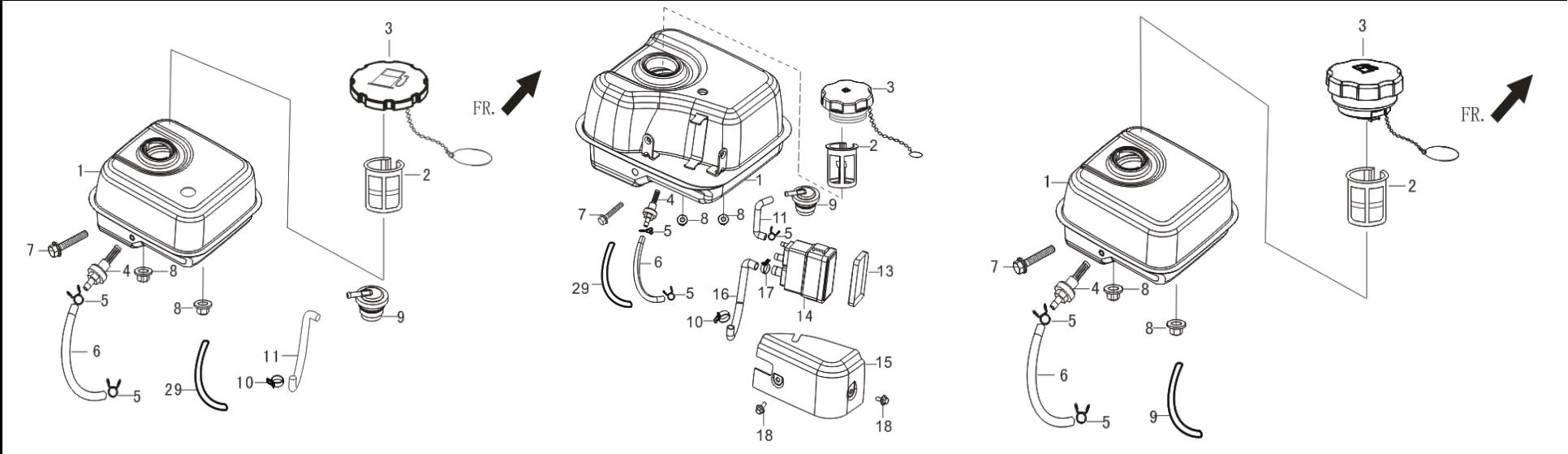
REF. NO.	CPL PART NO (EPAIII) 21407025	CPL PART NO (CARB) 21407055	NUA PART NO (CARB) 11407017	DESCRIPTION	QTY
E04-1	90305-0600-31			NUT	2
E04-2	17100-Z440220-0099		17100-Z010210-0000	CLEANER, AIR	1
E04-4	17151-Z440110		17150-Z010110	ELEMENT, AIR CLEANER	1

**FIG.11 MUFFLER (EXHAUST) ASSY. ( F04 )**



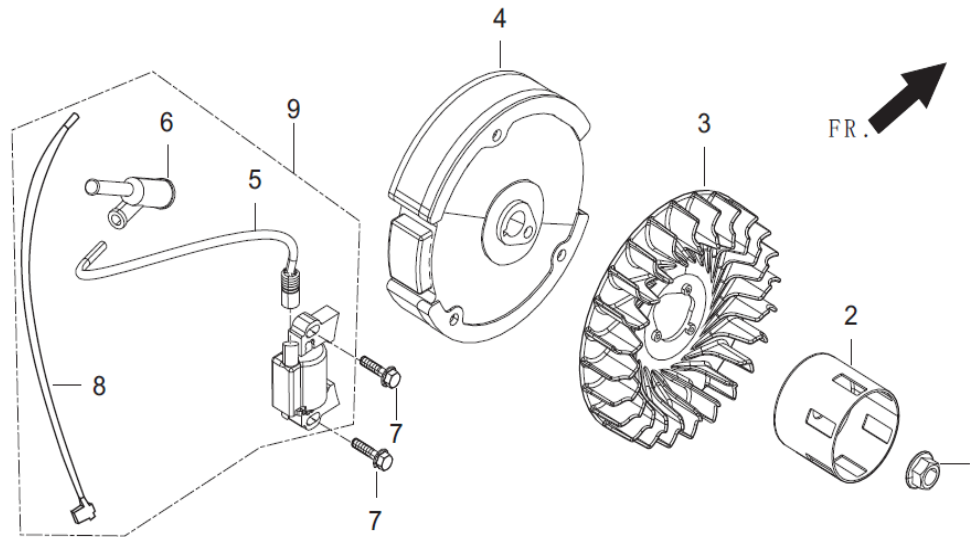
REF. NO.	CPL PART NO (EPAIII) 21407025	CPL PART NO (CARB) 21407055	NUA PART NO (CARB) 11407017	DESCRIPTION	QTY
F04-1	18001-Z440110-0000		18001-Z440110-0000	GASKET, EXHAUST OUTLET	1
F04-2	90303-0800-31		90303-0800-31	NUT	2
F04-3	18100-Z442710-H300		18100-Z012410-H300	MUFFLER ASSY	1

# FIG.12 FUEL TANK ASSY (F01)



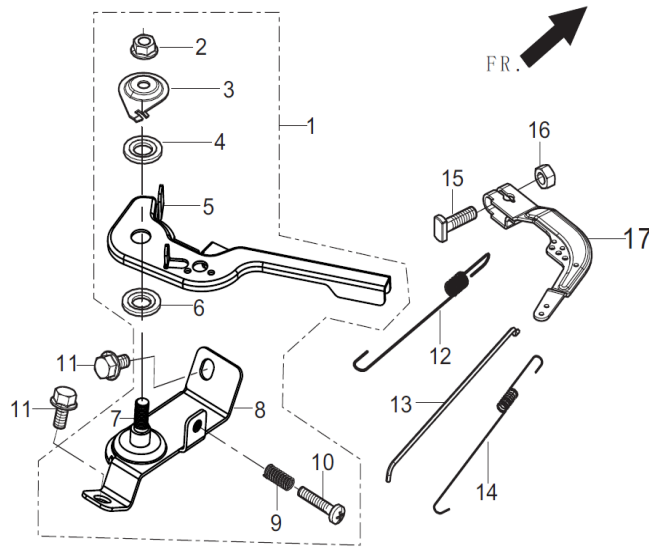
REF. NO.	CPL PART NO (EPAIII) 21407025	CPL PART NO (CARB) 21407055	NUA PART NO (CARB) 11407017	DESCRIPTION	QTY
F01-1	16620-Z440510-H700	16620-Z300910-H700	16620-Z440410-H700	TANK, FUEL	1
F01-2	16652-Z010710-0000			STRAINER , FUEL	1
F01-3	16730-Z440330-0099	16730-Z010430-0000	16730-Z440210-0099	COVER, FUEL TANK	1
F01-4	16680-Z010110-0000			OUTLET SUBASSEMBLY, FUEL TANK OIL	1
F01-5	90685-Z030220-0000			CLAMP	3
F01-6	90686-Z010710-0000			TUBE, FUEL	1
F01-7	90007-0630-A1			BOLT	1
F01-8	90305-0600-31			NUT	2
F01-9	15150-Z010510-0000		\	VALVE, ONE WAY	1
F01-10	90685-Z030410-0000		\	CLAMP	1
F01-11	16804-Z440210-0099		\	HOSE, FUEL STEAM RUBBER	1
F01-13	\	90698-Z310110-0000	\		1
F01-14	\	16801HZ010110-0000	\	COLLECTOR, FUEL STEAM	1
F01-15	\	16803-Z300120-0000	\	COVER, FUEL STEAM COLLECTOR	1
F01-16	\	16805-Z440110-0099	\	HOSE, AIR CLEANER RUBBER	1
F01-17	\	90685-Z020110-0000	\	CLAMP	1
F01-18	\	90001-0610-01	\	BOLT	2
F01-29	30431-Z010110-0000			JACKET, RUBBER	1

**FIG.13 FLYWHEEL / FAN / STARTER PULLEY / IGNITION COIL (E15)**



REF. NO.	CPL PART NO (EPAIII) 21407025	CPL PART NO (CARB) 21407055	NUA PART NO (CARB) 11407017	DESCRIPTION	QTY
E15-1	13501-Z010110-0000			NUT, FLYWHEEL	1
E15-2	28002-Z300110-0000		28002-Z260110-0000	PULLEY,STARTER	1
E15-3	19352-Z440110-0000			IMPELLER	1
E15-4	13510-Z440410-0000			FLYWHEEL SUBASSEMBLY	1
E15-7	90001-0625-01			BOLT	2
E15-9	30400-Z010210-0000			COIL, IGNITION	1

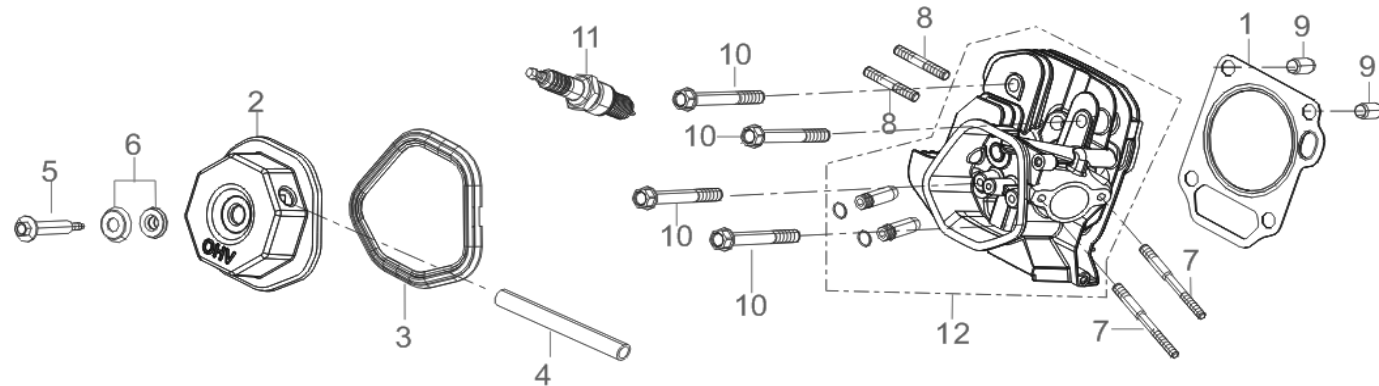
**FIG.14 THROTTLE ASSEMBLY ( E13 )**



REF. NO.	CPL PART NO (EPAIII) 21407025	CPL PART NO (CARB) 21407055	NUA PART NO (CARB) 11407017	DESCRIPTION	QTY
E13-1	16520-Z010430-0000			CONTROL ASSY, THROTTLE	1
E13-11	90001-0610-01			BOLT	2
E13-12	16063-Z050120-0000		16063-Z010710-0000	SPRING, GOVERNOR	1
E13-13	16062-Z010110-0000			ROD, GOVERNEOR	1
E13-14	16012-Z010110-0000			SPRING, THROTTLE VALVE RETURNING	1
E13-15	16072-Z010110-0000			BOLT, GOVERNOR SUPPORT	1
E13-16	90305-0600-31			NUT	1
E13-17	16070-Z010110-0000			SUPPORT SUBASSEMBLY, GOVERNOR	1

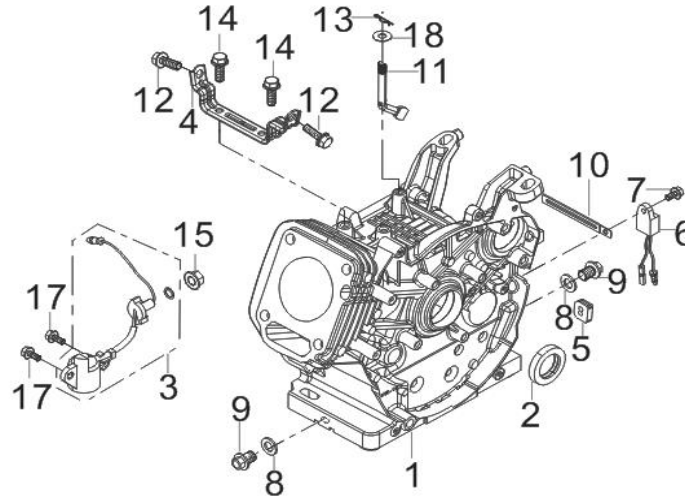
# RATO (RAVEN) R300D PARTS LIST & EXPLODED DIAGRAMS

## FIG.1 HEAD SUBASSEMBLY, CYLINDER / SPARK PLUG (E01)



REF. NO.	PART NO (21510003)		DESCRIPTION	QTY
E01-1	12131-Z730110-0000		GASKET, CYLINDER HEAD	1
E01-2	12410-Z580110-0199		COVER SUBASSEMBLY, CYLINDER HEAD	1
E01-3	12004-Z580110-0099		GASKET, CYLINDER HEAD COVER	1
E01-4	17004-Z730110-0000		TUBE, BREATHER	1
E01-5	12032-Z080110-0100		BOLT SUBASSEMBLY, CYLINDER HEAD COVER	1
E01-6	12034-Z080110-0099		Cylinder epicranium bolt seal&gasket unit	1
E01-7	90204-Z080320-0000		STUD	2
E01-8	90204-Z100320-0000		STUD	2
E01-9	90502-1220-00		PIN	2
E01-10	12003-Z080110-0000		BOLT, CYLINDER HEAD	4
E01-11	30010-Z010110-0000		PLUG, SPARK	1
E01-12	12140-Z730210-0B99		HEAD SUBASSEMBLY, CYLINDER	1

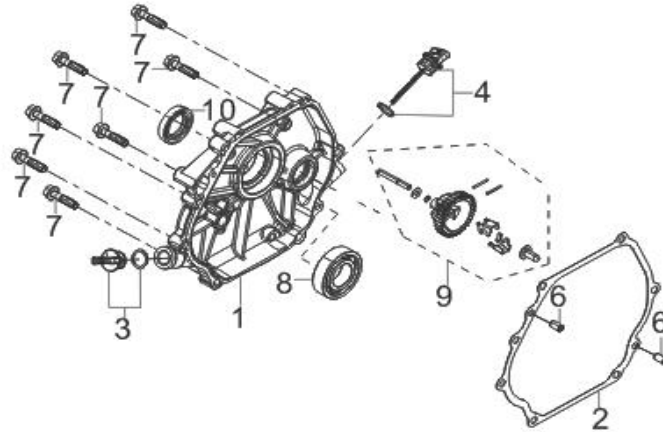
**FIG.2 CRANKCASE (E02)**



REF. NO.	PART NO	DESCRIPTION	QTY
E02-1	11310-Z890110-0B00	CRANKCASE SUBASSEMBLY.	1
E02-2	90682-Z080110-0000	SEAL, OIL	1
E02-3	37060-Z080120-0000	SENSOR, ENGINE OIL	1
E02-4	16612-Z080120-H300	FRAME , FUEL TANK INSTALLTION	1
E02-5	28101-Z080110-0000	PLUG, RUBBER	1
E02-6	37050-Z010210-0000	PROTECTOR, OIL	1
E02-7	90001-0612-01	BOLT	1
E02-8	90412-Z080110-0000	WASHER	2
E02-9	11007-Z080110-0000	BOLT, DRAIN PLUG	2
E02-10	90684-Z010310-0000	CLIP	1
E02-11	16061-Z080110-0000	ARM, GOVERNOR	1
E02-12	90001-0816-01	BOLT	2
E02-13	90501-Z010110-0000	PIN	1
E02-14	90001-0820-01	BOLT	2
E02-15	90305-Z010210-01	NUT	1
E02-17	90001-0616-01	BOLT	2
E02-18	90412-Z080210-0000	WASHER	1

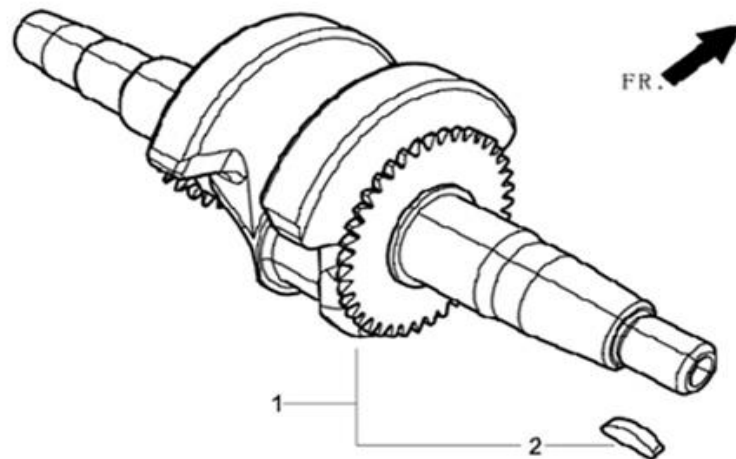


**FIG.3 COVER SUBASSEMBLY, CRANKCASE / GEAR ASSY, GOVERNOR (E03)**



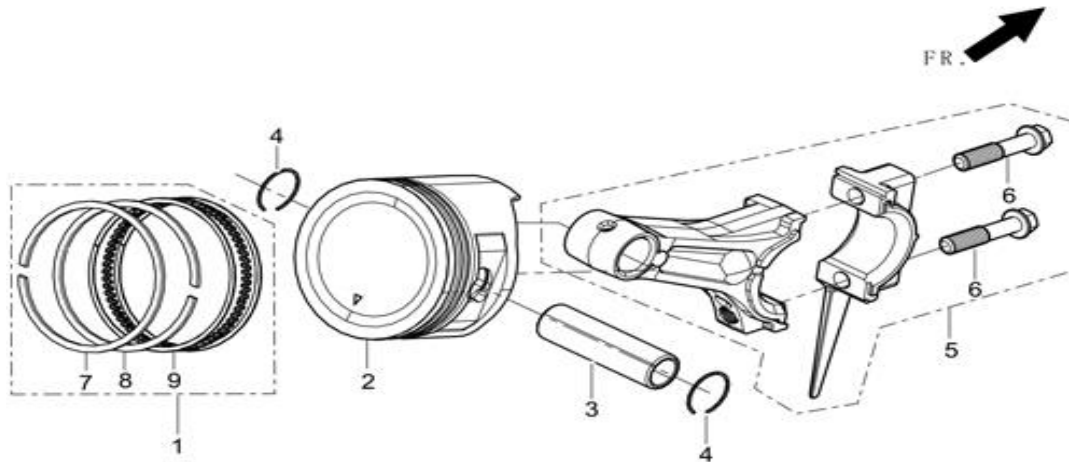
REF.NO.	PART NO (21510003)		DESCRIPTION	QTY
E03-1	11411-Z580710-0B00		COVER , CRANKCASE	1
E03-2	11001-Z580120-0000		GASKET, CRANKCASE	1
E03-3	15030-Z080130-Q500		PLUG SUBASSEMBLY, ENGINE OIL	1
E03-4	15010-Z080130-Q500		DIPSTICK SUBASSEMBLY, OIL	1
E03-6	90502-0912-00		PIN	2
E03-7	90001-0835-01		BOLT	7
E03-8	90547-0206-00		BEARING	1
E03-9	16400-Z080110-0000		GEAR ASSY, GOVERNOR	1
E03-10	90682-Z080110-0000		SEAL, OIL	1

**FIG.4 CRANKSHAFT (E04)**



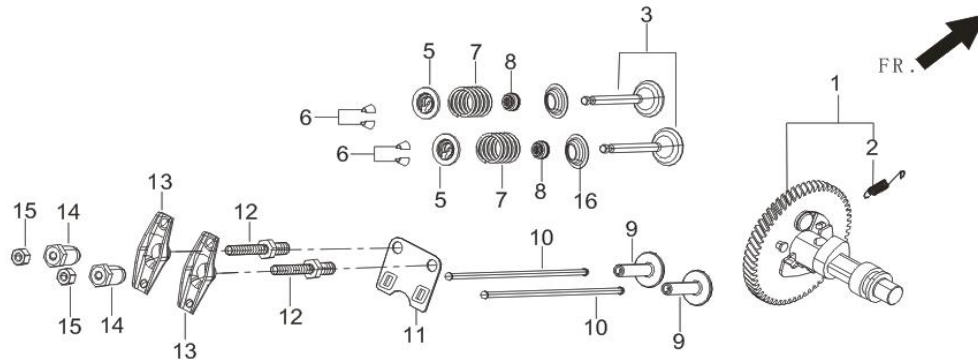
REF.NO.	PART NO (21510003)		DESCRIPTION	QTY
E04-1	13300-Z730630-0000		CRANKSHAFT ASSY.	1

## FIG.5 PISTON, RINGS, CONNECTING ROD ( E05 )



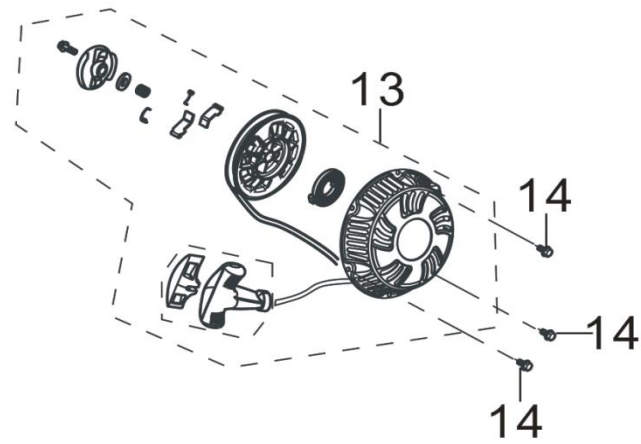
REF.NO.	PART NO (21510003)		DESCRIPTION	QTY
E05-1	13200-Z730110-0099		ring,piston	1
E05-2	13111-Z730120-0099		PIN, PISTON	1
E05-3	13121-Z730110-0000		CLIP, PISTON PIN	1
E05-4	13122-Z730110-0099		PISTON	2
E05-5	13010-Z730120-0099		ROD, CONNECTING	1

## FIG.6 VALVES / CAMSHAFT SUBASSEMBLY ( E06 )



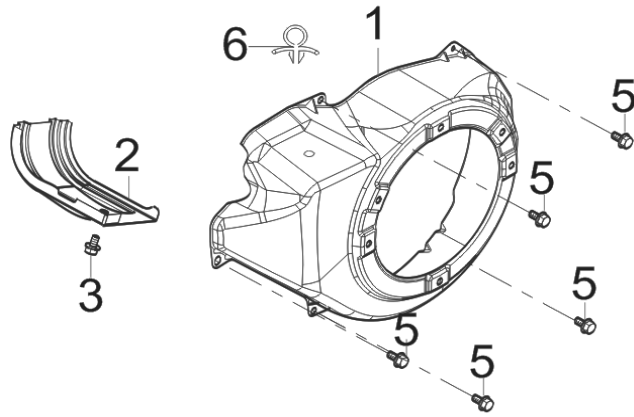
REF.NO.	PART NO (21510003)	DESCRIPTION	QTY
E06-1	14200-Z730120-0099	CAMSHAFT ASSY.	1
E06-3	12110-Z730110-0099	VALVE	1
E06-5	12112-Z730110-0000	SEAT, VALVE SPRING	2
E06-6	12109-Z730110-0000	CLAMP, VALVE LOCK	4
E06-7	12103-Z730110-0099	SPRING, VALVE	2
E06-8	12101-Z020110-0000	GUIDE, SEAL	2
E06-9	14081-Z580110-0000	TAPPET, VALVE	2
E06-10	14070-Z730110-0000	LIFTER, VALVE	2
E06-11	14090-Z080110-0000	PLATE SUBASSEMBLY, LIFTER STOPPER	1
E06-12	14313-Z010110-0000	BOLT, VALVE ADJUSTING	2
E06-13	14311-Z080110-0000	ROCKER, VALVE	2
E06-14	14314-Z010110-0000	NUT , VALVE ADJUSTING	2
E06-15	14312-Z010110-0000	NUT, VALVE LOCK	2
E06-16	12105-Z080110-0000	RETAINER, VALVE SPRING	2

**FIG.7 PULL STARTER (RECOIL ASSY.) ( E07 )**



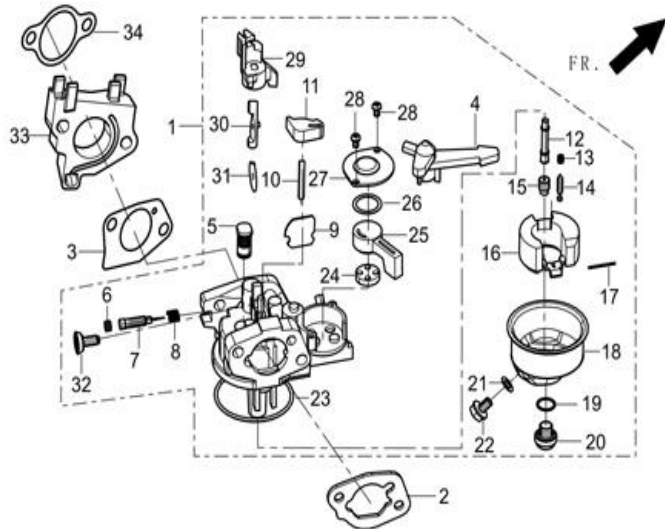
REF.NO.	PART NO (21510003)		DESCRIPTION	QTY
E07-13	28200-Z081110-H600		STARTER ASSY, RECOIL	1
E07-14	90001-0608-01		BOLT	3

## FIG.8 SHROUD / SHIELD, LOWER ( E08 )



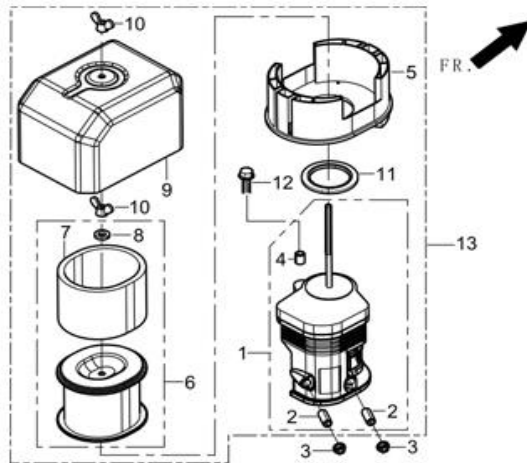
REF.NO.	PART NO (21510003)		DESCRIPTION	QTY
E08-1	28110-Z080510-H600		SHROU	1
E08-2	19304-Z080110-0000		SHROU, CYLINER BOY	1
E08-3	90001-0612-01		BOLT	1
E08-5	90001-0612-01		BOLT	5
E08-6	90684-Z080110-0000		CLIP	1

**FIG.9 CARBURETOR ASSEMBLY ( E09 )**



REF.NO.	PART NO (21510003)		DESCRIPTION	QTY
E09-1	16100-Z730310-0099		CARBURETOR ASSY.	1
E09-2	17001-Z080210-0000		GASKET, AIR CLEANER	1
E09-3	16001-Z080110-0000		GASKET, CARBURETOR	1
E09-33	16003-Z730110-0000		PLATE, CARBURETOR INSULATOR	1
E09-34	17002-Z080110-0000		GASKET, CARBURETOR INSULATOR	1

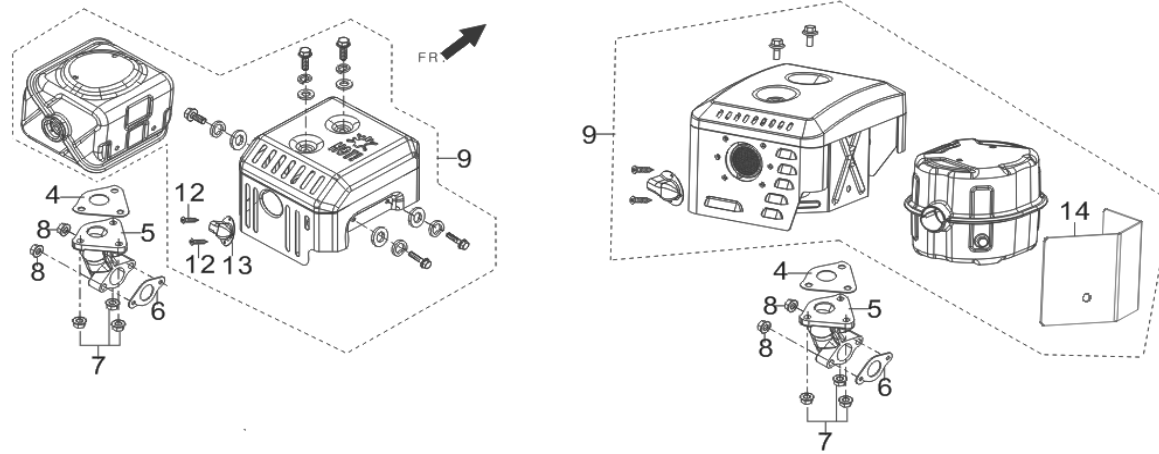
## FIG.10 AIR CLEANER ASSEMBLY (AIR FILTER) ( E10 )



REF.NO.	PART NO (21510003)		DESCRIPTION	QTY
E10-3	90305-0600-31		NUT	2
E10-6	17150-Z080110-0000		ELEMENT, AIR CLEANER	1
E10-12	\		BOLT	1
E10-13	17100-Z080210-0000		CLEANER, AIR	1

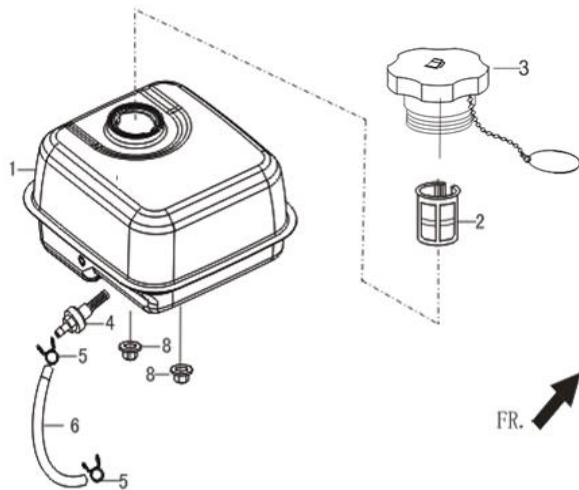


**FIG.11 MUFFLER ASSEMBLY ( E11 )**



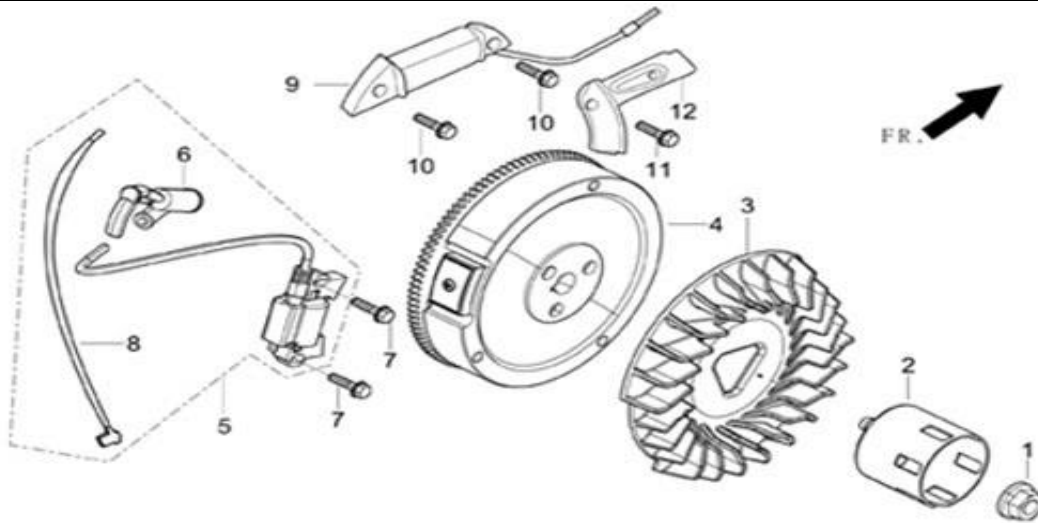
REF.NO.	PART NO (21510003)		DESCRIPTION	QTY
E11-4	18101-Z080110-0000		BLOCK, MUFFLER SEAT REINFORCING	1
E11-5	18150-Z580110-0000		PIPE, EXHAUST	1
E11-6	18001-Z580110-0000		GASKET, EXHAUST OUTLET	1
E11-7	90305-0800-31		NUT	3
E11-8	90305-0800-31		NUT	2
E11-9	18100-Z581210-0000		MUFFLER ASSY.	1
E11-12	\		SHROUD , MUFFLER	1
E11-13	\		BOLT	2
E11-14	18020-Z580110-0000		PLATE, MUFFLER INSULATOR	1

**FIG.12 FUEL TANK ASSEMBLY ( E12 )**



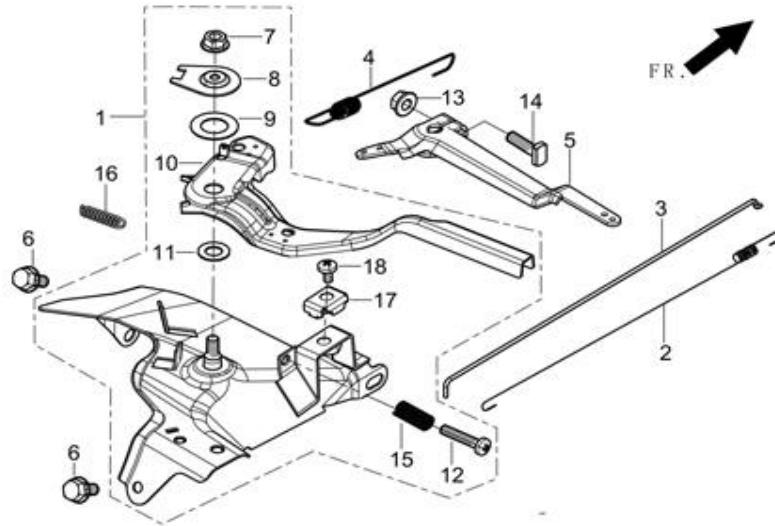
REF.NO.	PART NO (21510003)		DESCRIPTION	QTY
E12-1	16620-Z310410-H600		TANK, FUEL	1
E12-2	16652-Z010710-0000		STRAINER , FUEL	1
E12-3	16730-Z310110-0000		COVER, FUEL TANK	1
E12-4	16680-Z010110-0000		OUTLET SUBASSEMBLY, FUEL TANK OIL	1
E12-5	90740-Z010210-0000		COLLAR	2
E12-6	90686-Z080510-0000		TUBE, FUEL	1
E12-8	90305-0800-31		NUT	2

**FIG.13 FLYWHEEL / FAN / STARTER PULLEY / IGNITION COIL ( E13 )**



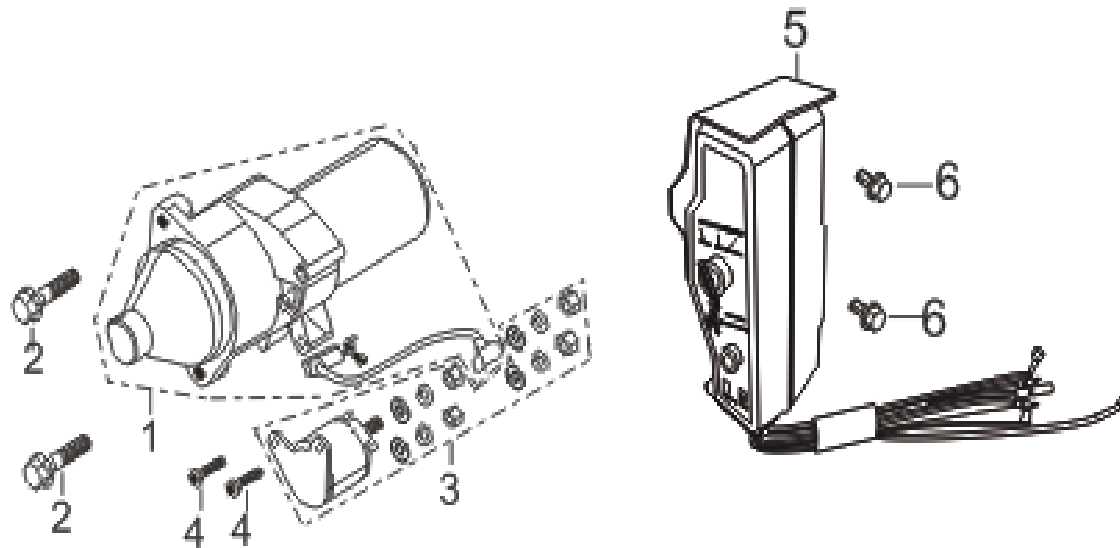
REF.NO.	PART NO (21510003)		DESCRIPTION	QTY
E13-1	13501-Z080110-0000		NUT, FLYWHEEL	1
E13-2	28002-Z080310-0000		PULLEY, STARTER	1
E13-3	19352-Z080110-0000		IMPELLER	1
E13-4	13510-Z160110-0000		FLYWHEEL SUBASSEMBLY	1
E13-5	30400-Z080310-0100		COIL, IGNITION	1
E13-7	90001-0628-01		BOLT	2
E13-9	30140-Z160130-0000		COIL SUBASSEMBLY, CHARGE	1
E13-10	90001-0632-01		BOLT	2
E13-11	90001-0610-01		BOLT	1
E13-12	30001-Z160110-0000		CLAMP, CHARGE COIL	1

**FIG.14 THROTTLE CONTROL ASSEMBLY ( E14 )**



REF.NO.	PART NO (21510003)	DESCRIPTION	QTY
E14-1	16520-Z080310-0000	CONTROL SUBASSEMBLY, THROTTLE	1
E14-2	16012-Z080110-0000	SPRING, THROTTLE VALVE RETURNING	1
E14-3	16062-Z080110-0000	ROD, GOVERNER	1
E14-4	16063-Z080120-0000	SPRING, GOVERNER	1
E14-5	16070-Z080110-0000	SUPPORT SUBASSEMBLY, GOVERNER	1
E14-6	90001-0612-01	BOLT	2
E14-13	90305-0600-31	NUT	1
E14-14	16072-Z010110-0000	BOLT, GOVERNER SUPPORT	1

**FIG.15 ELECTRIC START MOTOR AND PANEL ( E15 )**



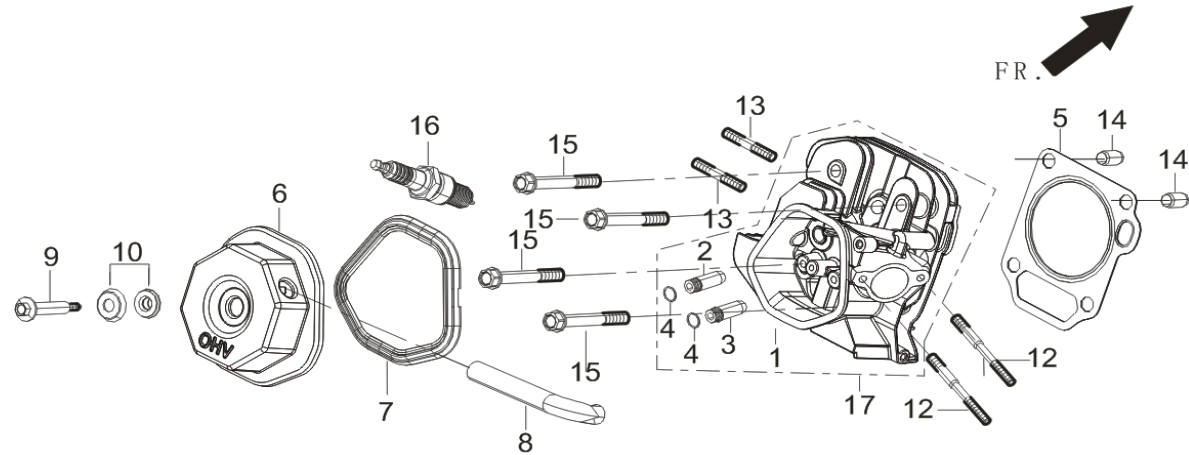
REF.NO.	PART NO (21510003)		DESCRIPTION	QTY
E15-01	30300-Z160110-0000		MOTOR ASSY,STARTING	1
E15-02	90001-0840-01		BOLT	2
E15-03	30500-Z160110-0000		RELAY, STARTING	1
E15-04	90001-0516-01		BOLT	2
E15-05	35000-Z160130-H300		BOX, MOTOR CONTROL	1
E15-06	90001-0612-01		BOLT	2
	35302-Z160110-0000		KEY, STARTING	1

**FIG.15**

REF.NO.	PART NO (21510003)		DESCRIPTION	QTY
000-1	93140-Z730310-0000		High altitude (3000-6000)	1
000-2	93141-Z730310-0000		High altitude (6000-8000)	1

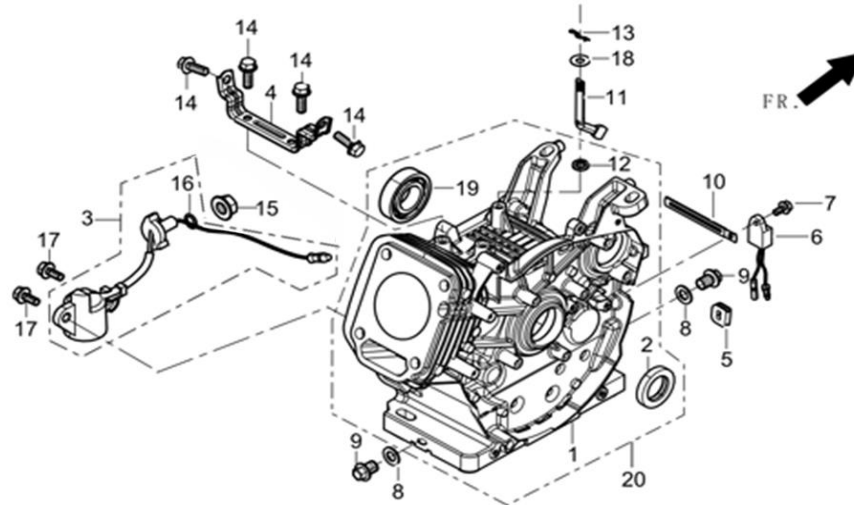
# RAVEN (RATO) R420D ENGINE PARTS & EXPLODED DIAGRAMS

**FIG.1 HEAD SUBASSEMBLY, CYLINDER / SPARK PLUG (E04)**



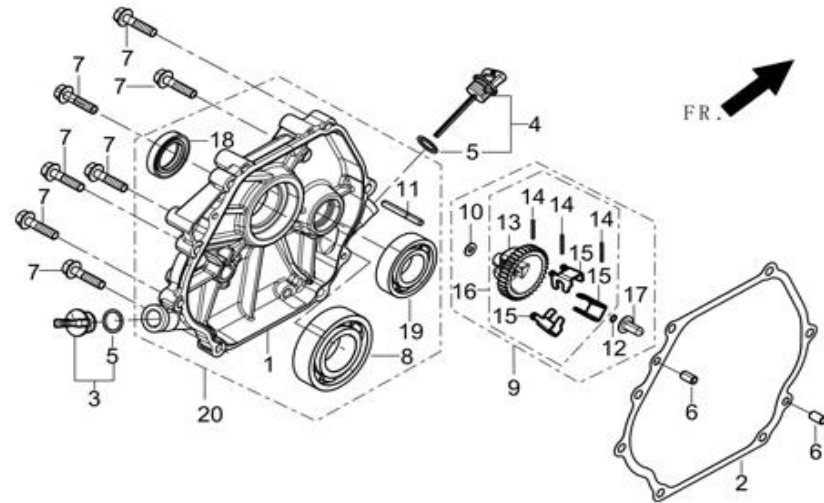
REF. NO.	69736 PART NO (CARB)	60340 PART NO (EPAIII)	Description	QTY
E04-5	12131-Z190310-0000		GASKET, CYLINDER HEAD	1
E04-6	12410-Z580110-0199		COVER SUBASSEMBLY, CYLINDER HEAD	1
E04-7	12004-Z580110-0099		GASKET, CYLINDER HEAD COVER	1
E04-8	17004-Z100110-0000		TUBE, BREATHER	1
E04-9	12032-Z080110-0100		BOLT SUBASSEMBLY, CYLINDER HEAD COVER	1
E04-10	12034-Z080110-0099		BOLT+GASKET	1
E04-12	90204-Z100210-0000		STUD	2
E04-13	90204-Z100320-0000		STUD	2
E04-14	90502-1220-00		PIN	2
E04-15	12003-Z080110-0000		BOLT, CYLINDER HEAD	4
E04-16	30010-Z010210-0000		PLUG, SPARK	1
E04-17	12140-Z190240-0B99		HEAD SUBASSEMBLY, CYLINDER	1

**FIG.2 CRANKCASE (E01)**



REF. NO.	69736 PART NO (CARB)	60340 PART NO (EPAIII)	Description	QTY
E17-1	11310-Z190110-0B00		CRANKCASE SUBASSEMBLY.	1
E17-2	90682-Z100110-0000		SEAL, OIL	1
E17-3	37060-Z080120-0000		SENSOR, ENGINE OIL	1
E17-4	16612-Z080110-H300		FRAME , FUEL TANK	1
E17-5	28101-Z080110-0000		PLUG, RUBBER	1
E17-6	37050-Z010210-0000		PROTECTOR, OIL	1
E17-7	90001-0612-01		BOLT	1
E17-8	90412-Z080110-0000		WASHER	2
E17-9	11007-Z080110-0000		BOLT, DRAIN PLUG	2
E17-10	90684-Z030120-0000		CLIP	1
E17-11	16061-Z100110-0000		ARM, GOVERNOR	1
E17-12	90682-Z100210-0000		SEAL, OIL	1
E17-13	90501-Z010110-0000		PIN	1
E17-14	90001-0820-01		BOLT	4
E17-15	90305-Z010210-01		NUT	1
E17-17	90001-0616-01		BOLT	2
E17-18	90412-Z080210-0000		WASHER	1
E17-19	90548-0202-CL		BEARING	1

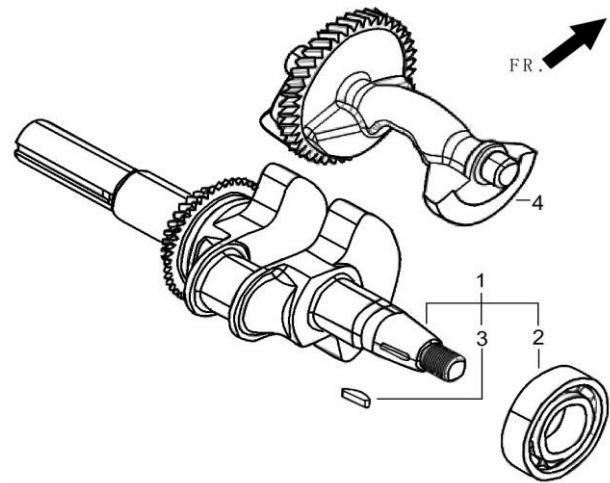
**FIG.3 COVER SUBASSEMBLY, CRANKCASE / GEAR ASSY, GOVERNOR (E16)**



REF. NO.	69736 PART NO (CARB)	60340 PART NO (EPAIII)	Description	QTY
E01-1	11411-Z101410-0B00		COVER , CRANKCASE	1
E01-2	11001-Z100210-0000		GASKET, CRANKCASE	1
E01-3	15030-Z080120-Q500		PLUG SUBASSEMBLY, ENGINE OIL	1
E01-4	15010-Z080120-Q500		DIPSTICK SUBASSEMBLY, OIL	1
E01-6	90502-0812-00		PIN	2
E01-7	90001-0840-01		BOLT	7
E01-8	90548-0207-CL		BEARING	1
E01-9	16400-Z100110-0000		GEAR ASSY, GOVERNOR	1
E01-18	90682-Z100110-0000		SEAL, OIL	1
E01-19	90548-0202-CL		BEARING	1

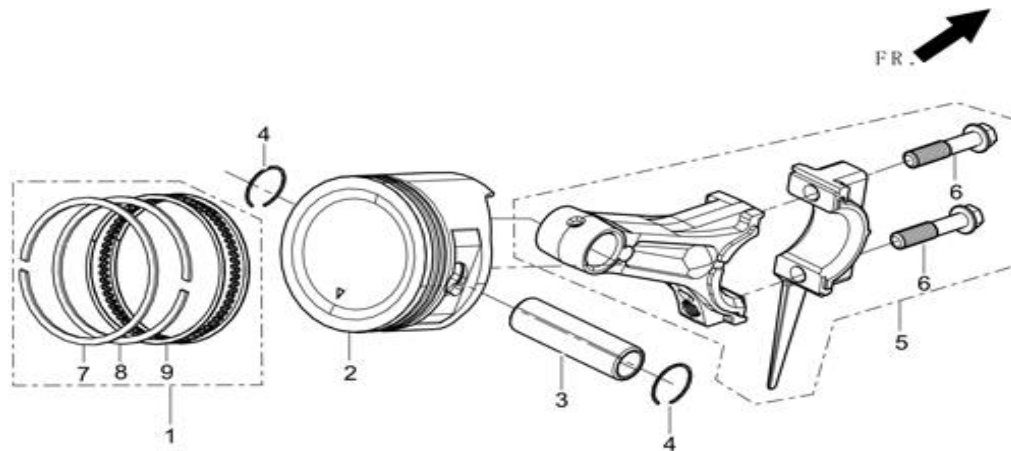


**FIG.4 CRANKSHAFT (E03)**



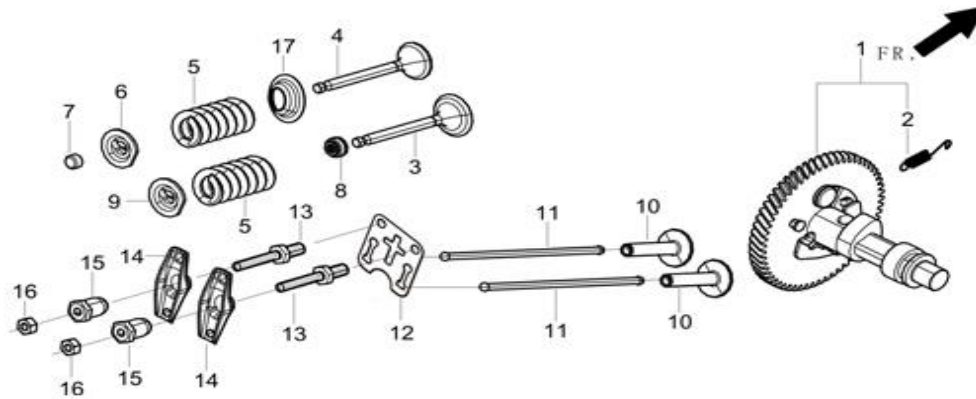
REF. NO.	69736 PART NO (CARB)	60340 PART NO (EPAIII)	Description	QTY
E03-1	13300-Z190620-RB00		CRANKSHAFT ASSY.	1
E03-4	13400-z190110-0000		SHAFT ASSY, BALANCING	1

**FIG.5 PISTON, RINGS, CONNETING ROD ( E03 )**



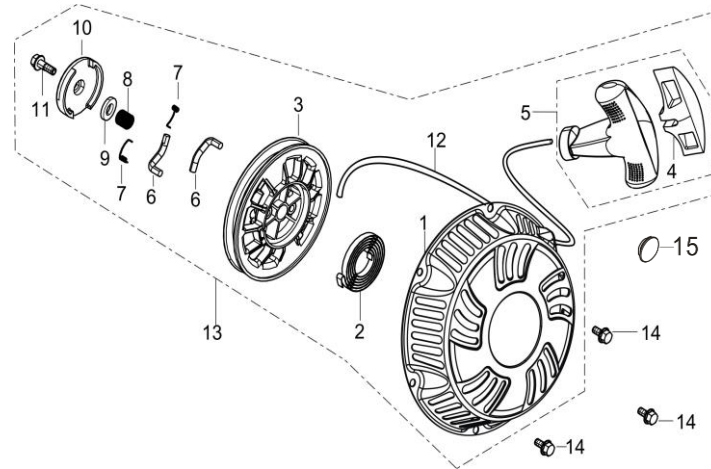
REF. NO.	69736 PART NO (CARB)	60340 PART NO (EPAIII)	Description	QTY
E04-1	13200-Z190210-0099		ring,piston	1
E04-2	13111-Z190310-0099		PISTON	1
E04-3	13121-Z100110-0000		PIN, PISTON	1
E04-4	13122-Z100110-0000		CLIP, PISTON PIN	2
E04-5	13010-Z190120-0000		ROD, CONNECTING	1

**FIG.6 VALVES / CAMSHAFT SUBASSEMBLY ( E05 )**



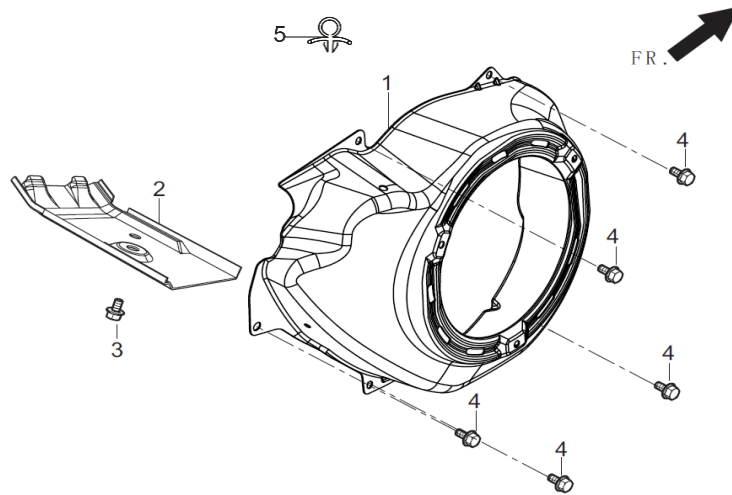
REF. NO.	69736 PART NO (CARB)	60340 PART NO (EPAIII)	Description	QTY
E04-1	14200-Z190610-0099		CAMSHAFT ASSY.	1
E04-3	12110-Z190110-0099		valve	1
E04-4				
E04-5	12103-Z080110-0000		SPRING, VALVE	2
E04-6	12107-Z080110-0000		RETAINER , EXHAUST VALVE	2
E04-7	12104-Z080110-0000		RATATOR, VALVE	1
E04-8	12101-Z080110-0000		GUIDE, SEAL	1
E04-9	12112-Z080110-0000		RETAINER, VALVE SPRING	1
E04-10	14081-Z080110-0000		LIFTER, VALVE	2
E04-11	14070-Z100110-0000		TAPPET, VALVE	2
E04-12	14090-Z080110-0000		PLATE SUBASSEMBLY, LIFTER STOPPER	1
E04-13	14313-Z010110-0000		BOLT, VALVE ADJUSTING	2
E04-14	14311-Z080110-0000		ROCKER, VALVE	2
E04-15	14314-Z010110-0000		NUT, VALVE ADJUSTING	2
E04-16	14312-Z010110-0000		NUT, VALVE LOCK	2
E04-17	12105-Z080110-0000		RETAINER, VALVE SPRING	1

**FIG.7 PULL STARTER (RECOIL ASSY.) ( E08 )**



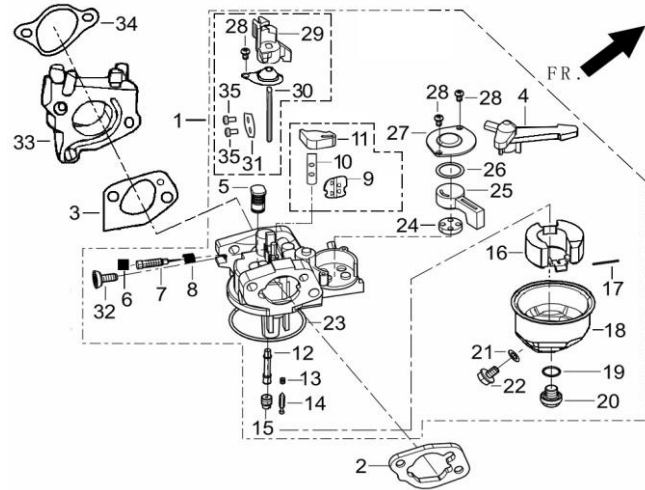
REF. NO.	69736 PART NO (CARB)	60340 PART NO (EPAIII)	Description	QTY
E08-13	28200-Z101210-H700		STARTER ASSY, RECOIL	1
E08-14	90001-0608-01		BOLT	3
E08-15	90722-Z300110-0000		PLUG, END	1

**FIG.8 SHROUD / SHIELD, LOWER ( E14 )**



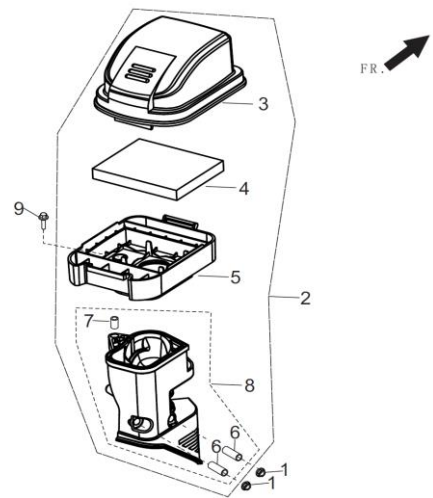
REF. NO.	69736 PART NO (CARB)	60340 PART NO (EPAIII)	Description	QTY
E14-1	28110-Z310410-H700		SHROUD	1
E14-2	19304-Z100210-0000		SHROUD, CYLINDER BODY	1
E14-3	90001-0612-01		BOLT	1
E14-4	90001-0612-01		BOLT	5
E14-5	90684-Z080110-0000		CLIP	1

**FIG.9 CARBURETOR ASSY. ( E11 )**



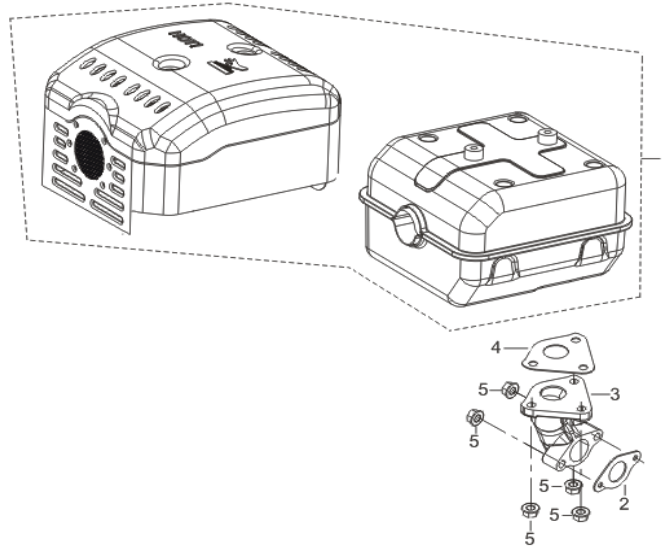
REF. NO.	69736 PART NO (CARB)	60340 PART NO (EPAIII)	Description	QTY
E11-1	16100-Z190910-H199		CARBURETOR ASSY.	1
E11-2	17001-Z080210-0000		GASKET, AIR CLEANER	2
E11-3	16001-Z100110-0000		GASKET, CARBURETOR	1
E11-33	16003-Z100110-0000		PLATE, CARBURETOR INSULATOR	1
E11-34	17002-Z100110-0000		GASKET, INLET	1

**FIG.10 AIR CLEANER ASSY. (AIR FILTER) ( F02 )**



REF. NO.	69736 PART NO (CARB)	60340 PART NO (EPAIII)	Description	QTY
F02-1	90305-0600-31		NUT	2
F02-2	17100-Z570210-0000		CLEANER, AIR	1
F02-9	90001-0632-01		BOLT	1

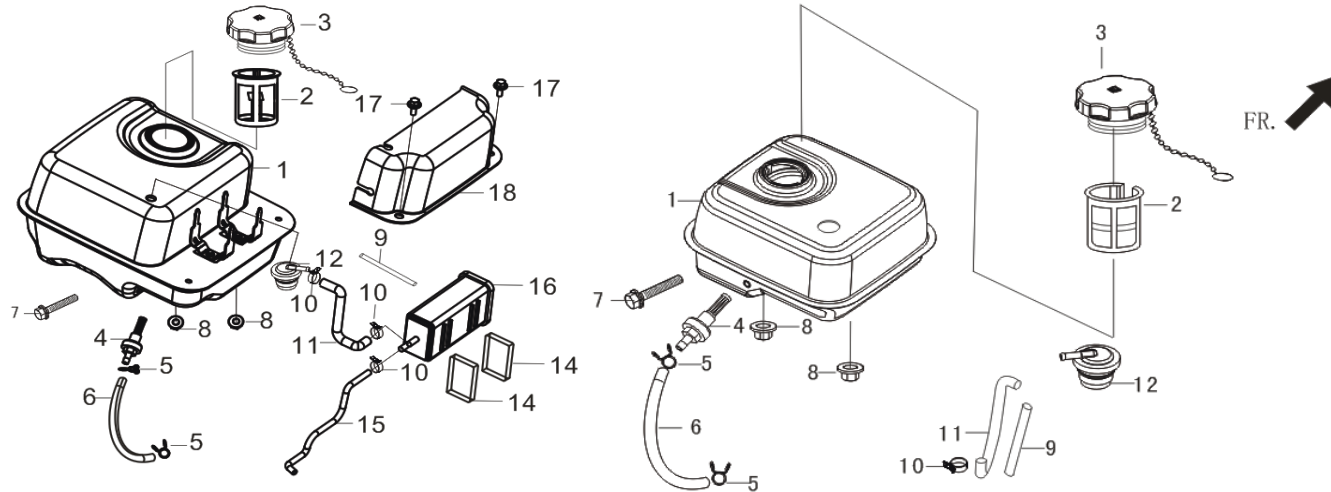
**FIG.11 MUFFLER (EXHAUST) ASSY. ( F04 )**



REF. NO.	69736 PART NO (CARB)	60340 PART NO (EPAIII)	Description	QTY
F04-1	18100-Z570310-0000		MUFFLER ASSY.	1
F04-2	18001-Z190110-0000		GASKET, EXHAUST OUTLET	1
F04-3	18150-Z080210-QA00		PIPE, EXHAUST	1
F04-4	18101-Z080110-0000		GASKET, MUFFLER	1
F04-5	90305-0800-31		NUT	5

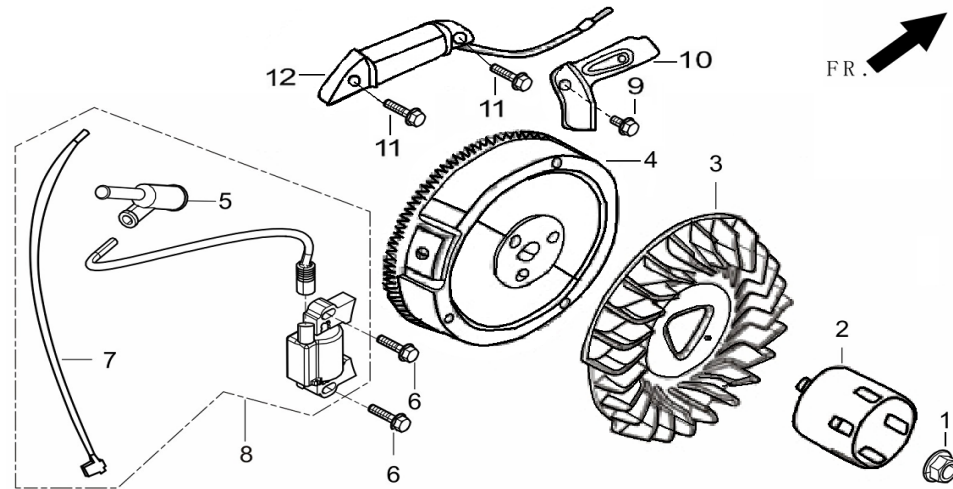


**FIG.12 FUEL TANK ( F01 )**



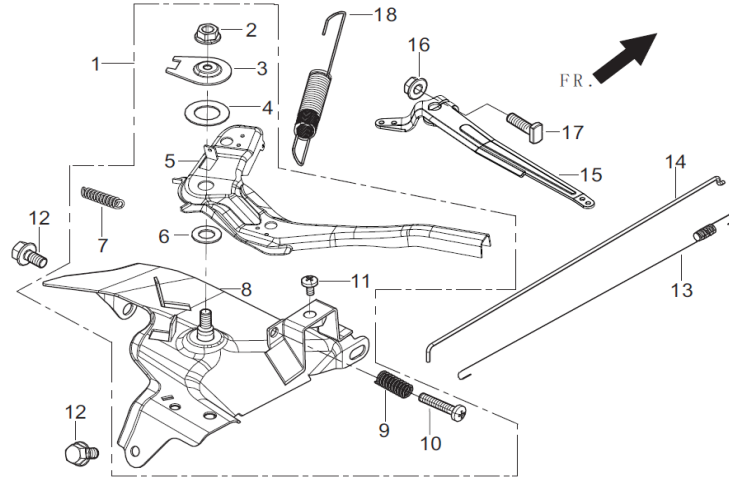
REF. NO.	69736 PART NO (CARB)	60340 PART NO (EPAIII)	Description	QTY
F01-1	16620-Z310310-H700		TANK, FUEL	1
F01-2	16652-Z010710-0000		STRAINER , FUEL	1
F01-3	16730-Z010430-0000		COVER, FUEL TANK	1
F01-4	16680-Z010110-0000		OUTLET SUBASSEMBLY, FUEL TANK OIL	1
F01-5	90685-Z030220-0000		CLAMP	2
F01-6	90686-Z520110-0000		TUBE, FUEL	1
F01-7	90001-0845-01		BOLT	2
F01-8	90305-0800-31		NUT	2
F01-9	16807-Z310110-0000		JACKET, RUBBER	1
F01-10	90685-Z020110-0000		CLAMP	3
F01-11	16804-Z310210-0000		HOSE, FUEL STEAM RUBBER	1
F01-12	15150-Z010510-0000		VALVE, ONE WAY	1
F01-14	90698-Z310110-0000	\	PROTECTOR SLEEVE	1
F01-15	16805-Z310110-0000	\	HOSE, AIR CLEANER RUBBER	1
F01-16	16800-Z310110-0000	\	COLLECTOR, FUEL STEAM	1
F01-17	90001-0612-01	\	BOLT	2
F01-18	16803-Z310110-0000	\	COVER, FUEL STEAM COLLECTOR	1

**FIG.13 FLYWHEEL / FAN / STARTER PULLEY / IGNITION COIL ( E15 )**



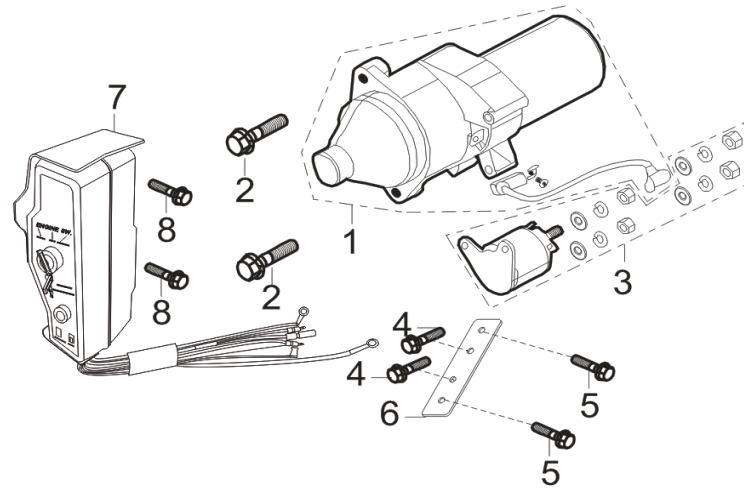
REF. NO.	69736 PART NO (CARB)	60340 PART NO (EPAIII)	Description	QTY
E15-1	13501-Z080110-0000		NUT, FLYWHEEL	1
E15-2	28002-Z100210-0000		PULLEY,STARTER	1
E15-3	19352-Z100210-0000		IMPELLER	1
E15-4	13510-Z170120-0000		FLYWHEEL SUBASSEMBLY	1
E15-6	90001-0628-01		BOLT	2
E15-8	30400-Z190110-0000		COIL, IGNITION	1
E15-9	90001-0610-01		BOLT	1
E15-10	30001-Z170110-0000		CLAMP, CHARGE COIL	1
E15-11	90001-0628-01		BOLT	2
E15-12	30140-Z160130-0000		COIL SUBASSEMBLY,	1

**FIG.14 THROTTLE CONTROL ASSY. ( E13 )**



REF. NO.	69736 PART NO (CARB)	60340 PART NO (EPAIII)	Description	QTY
E13-1	16520-Z100710-0000		CONTROL ASSY, THROTTLE	1
E13-12	90001-0612-01		BOLT	2
E13-13	16012-Z080110-0000		SPRING, THROTTLE VALVE RETURNING	1
E13-14	16062-Z100110-0000		ROD, GOVERNEOR	1
E13-15	16070-Z100120-0000		SUPPORT SUBASSEMBLY, GOVERNOR	1
E13-16	90305-0600-31		NUT	1
E13-17	16072-Z010110-0000		BOLT, GOVERNOR SUPPORT	1
E13-18	16063-Z520120-0000	16063-Z100110-0000	SPRING, GOVERNOR	1

**FIG.15 ELECTRIC START MOTOR ASSY AND PANEL (E15)**



REF. NO.	69736 PART NO (CARB)	60340 PART NO (EPAIII)	Description	QTY
E15-1	09000-Z170110-0000		MOTOR ASSY,STARTING	1
E15-2	90001-0835-01		BOLT	2
E15-3	30500-Z160110-0000		RELAY, STARTING	1
E15-4	90001-0516-01		BOLT	2
E15-7	35000-Z160130-H300		SWITCH,CONTROL	1
E15-8	90001-0612-01		BOLT	2